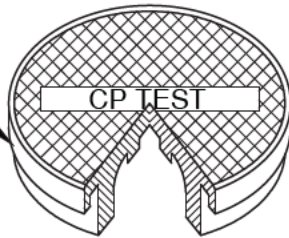
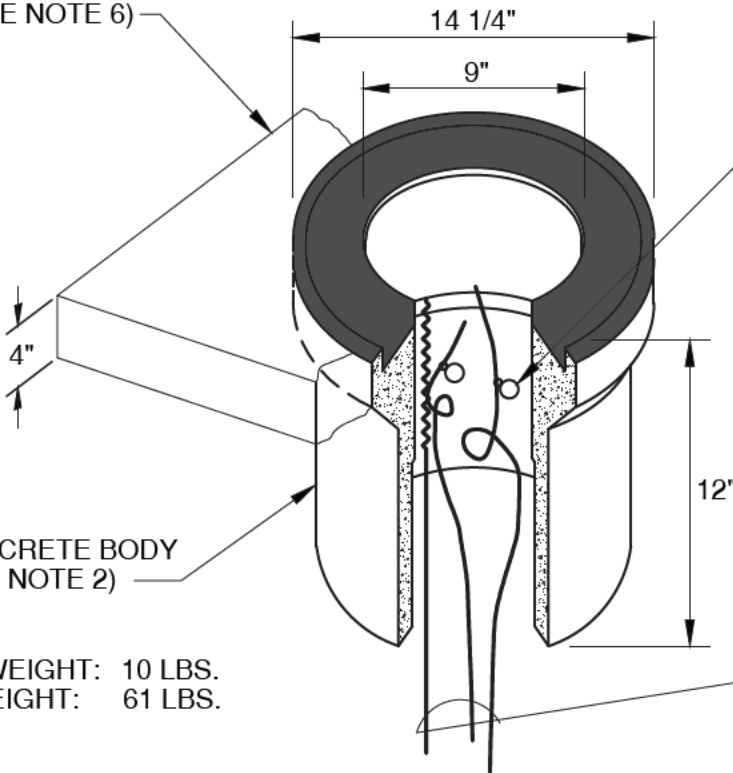


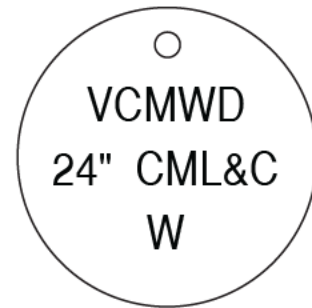
CAST IRON TRAFFIC COVER MARKED "CP TEST" OR "TRACER"



CONCRETE PAD (SEE NOTE 6)



BRASS TAGS 1 1/2" DIA. WITH 1/8" HOLE. STAMP WITH "VCMWD, SIZE, MAT'L, SERVICE"



CONCRETE BODY (SEE NOTE 2)

COVER WEIGHT: 10 LBS.
BODY WEIGHT: 61 LBS.

2-NO. 8 AWG HMWPE TEST LEADS AND/OR 1 NO. 8 AWG HMWPE TRACER WIRE

NOTES:

1. SEE DWG W-39 FOR PLACEMENT OF TEST BOX ON PAVED STREETS AND W-40 FOR PLACEMENT IN UNPAVED AREAS.
2. CONCRETE BODY, RATED FOR OCCASIONAL VEHICLE TRAFFIC.
3. ALL WIRES SHALL HAVE 24" MIN. SLACK IN BOX.
4. BOTTOM OF TEST BOX SHALL BE NATIVE SOIL. DO NOT PLACE ROCK, GRAVEL OR SAND IN TEST BOX.
5. FIRMLY STAMP BRASS TAGS (1 1/2" DIA WITH 1/16" DIA. HOLE) "VCMWD, SIZE AND SERVICE" (EXAMPLE: VCMWD, 24" W). USE 1/4" HIGH CHARACTERS. SECURELY ATTACH BRASS TAGS TO TEST LEADS WITH BARE NO. 14 COPPER WIRE.
6. PROVIDE 26" x 26" x 4" THICK CONCRETE PAD AROUND TEST BOXES AT UNPAVED SITES. CONCRETE SHALL BE 560-C-3250.

<p>APPROVED: <i>Wally P. [Signature]</i> 5/16/19</p>	<p>VALLEY CENTER MUNICIPAL WATER DISTRICT STANDARD DRAWING</p>	<p>NOT TO SCALE</p>
<p>District Engineer Date 5/16/2019 Latest Revision Date</p>	<p>AT GRADE TEST BOX</p>	<p>DWG. NUMBER W-42</p>