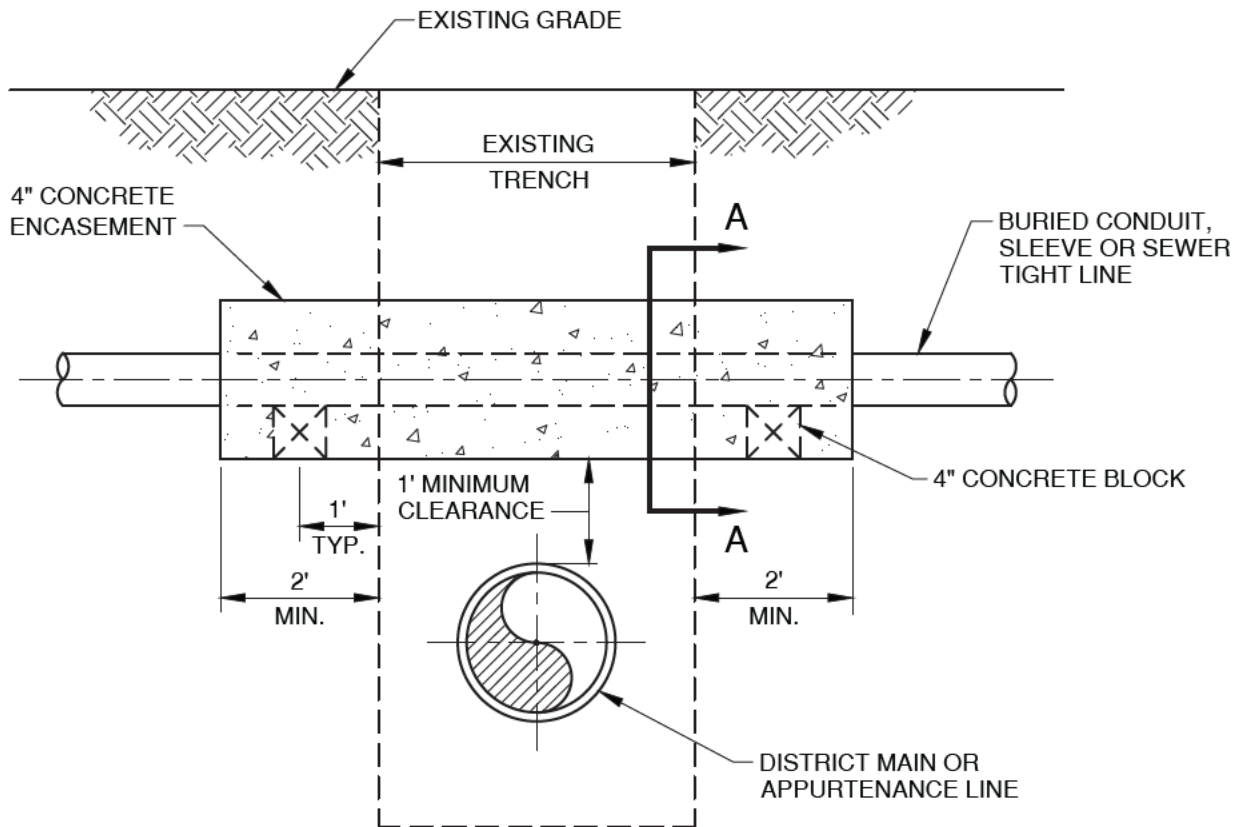


**SECTION A-A**



**TYPICAL SECTION**

**NOTES :**

1. AN ENCROACHMENT PERMIT MUST BE OBTAINED FROM THE DISTRICT PRIOR TO CONSTRUCTION OVER DISTRICT FACILITIES.
2. 2 SACK SLURRY BACKFILL MAY BE SUBSTITUTED FOR CONCRETE ENCASEMENT.

<p>APPROVED:            District Engineer      Date          5/16/2019          Latest Revision Date</p>	<p style="text-align: center;">  <b>VALLEY CENTER MUNICIPAL WATER DISTRICT</b>          STANDARD DRAWING  <b>CONCRETE ENCASEMENT DETAIL FOR U.G. ELECT., TEL., &amp; SEWER TIGHT LINES OVER DISTRICT MAINS &amp; APPURTENANCES</b> </p>	<p style="text-align: center;">         NOT TO SCALE          DWG. NUMBER  <b>W-30</b> </p>
--	--	---