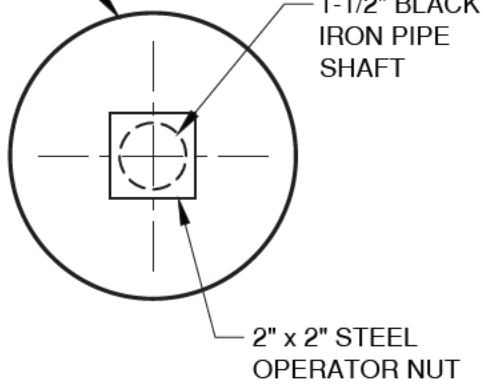
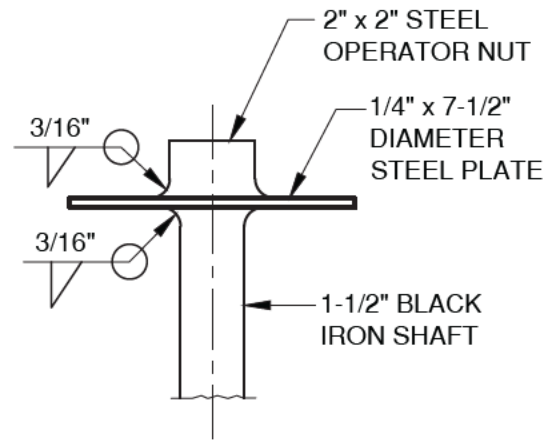


1/4" x 7-1/2"
DIAMETER
STEEL PLATE



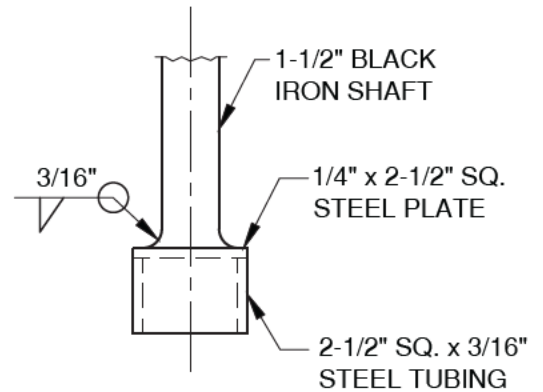
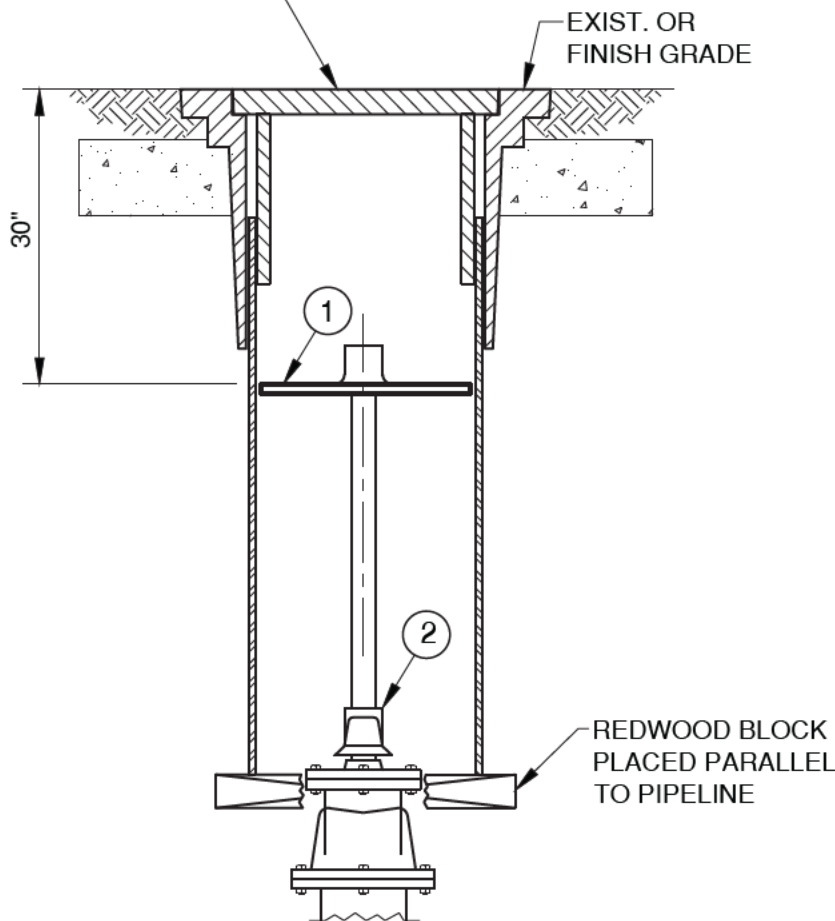
PLAN



PROFILE

VALVE WELL FRAME,
ASSEMBLY, AND COVER
PER W-25.

TOP PLATE ①



VALVE OPERATOR ②

APPROVED:

Wally Paul 5/16/19

District Engineer

Date

5/16/2019

Latest Revision Date



VALLEY CENTER MUNICIPAL WATER DISTRICT
STANDARD DRAWING

**VALVE STEM EXTENSION
GATE VALVES 4" AND LARGER**

NOT TO SCALE

DWG. NUMBER

W-24