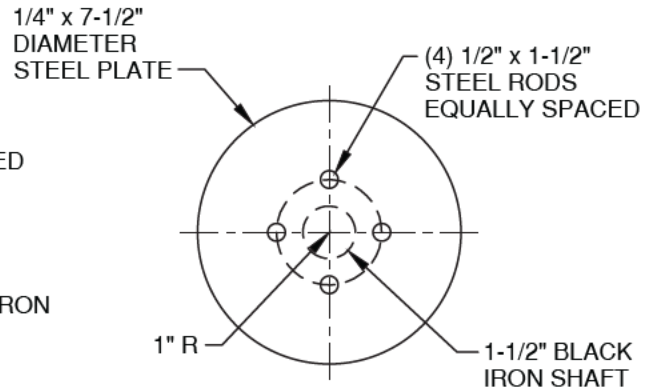
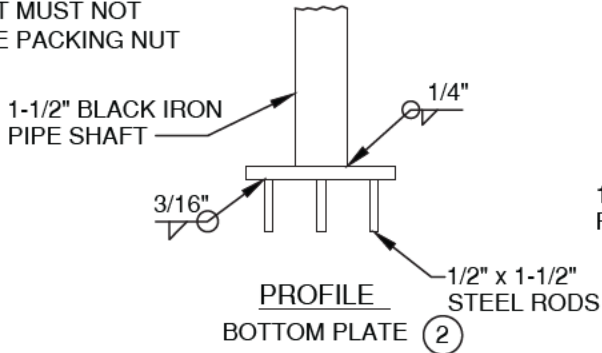
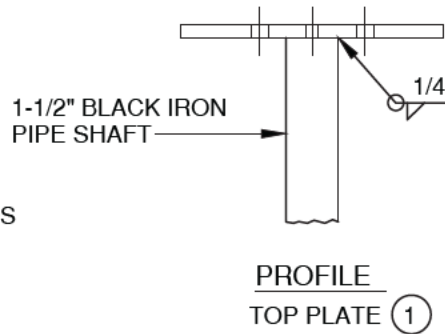


PLAN

PATTERN OF STEEL RODS MUST FIT SNUG IN HAND WHEEL BUT MUST NOT TOUCH THE PACKING NUT

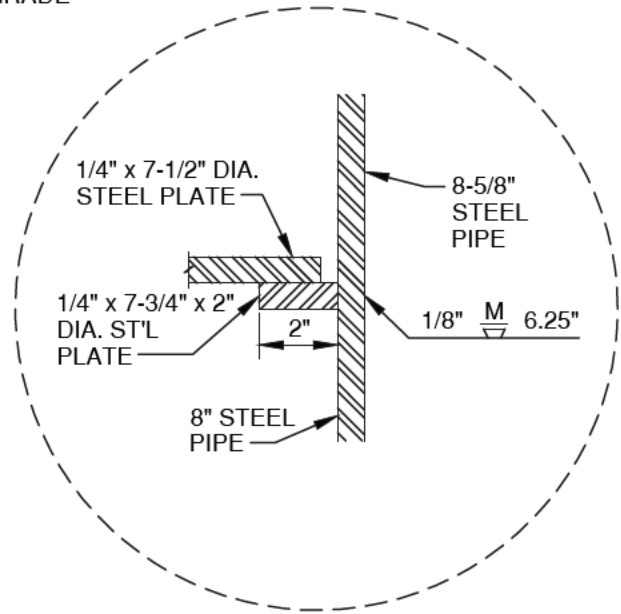
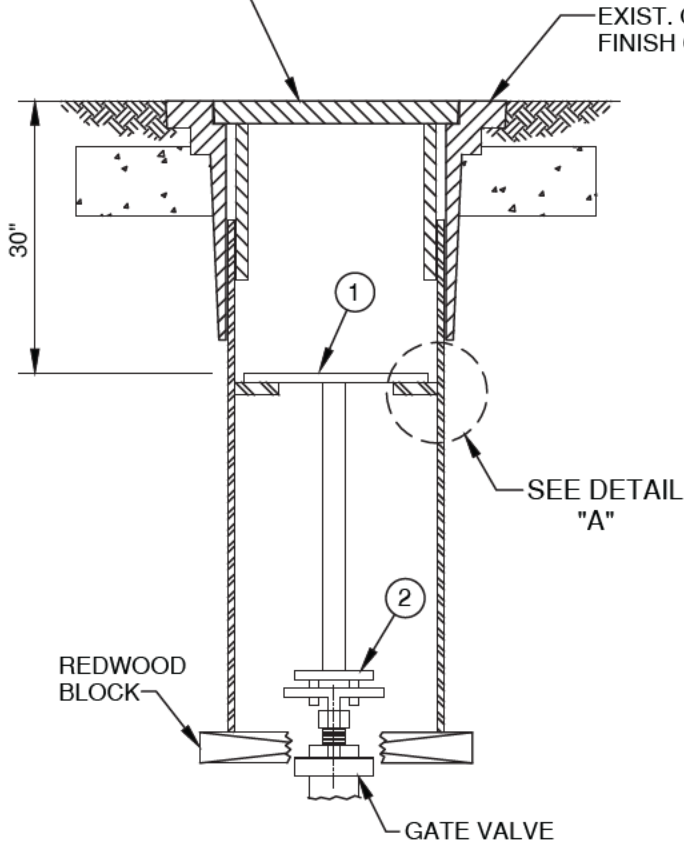


PLAN





VALVE WELL FRAME, ASSEMBLY, AND COVER PER W-25

EXIST. OR FINISH GRADE



DETAIL "A"

APPROVED:

 District Engineer Date
 5/16/2019
 Latest Revision Date

 VALLEY CENTER MUNICIPAL WATER DISTRICT
 STANDARD DRAWING
**VALVE STEM EXTENSION
 GATE VALVES 3" OR SMALLER**

NOT TO SCALE
 DWG. NUMBER
W-23