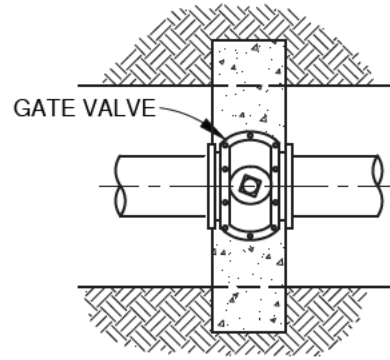
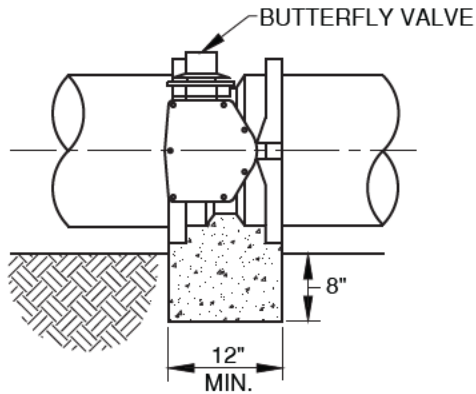


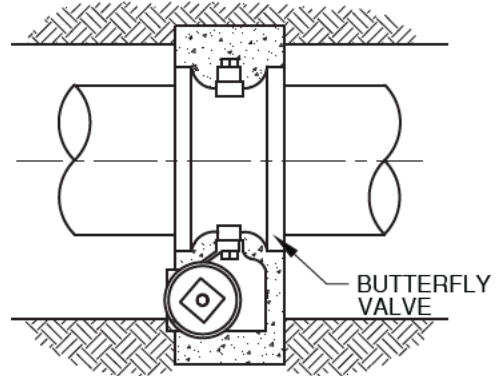
GATE VALVE - ELEVATION



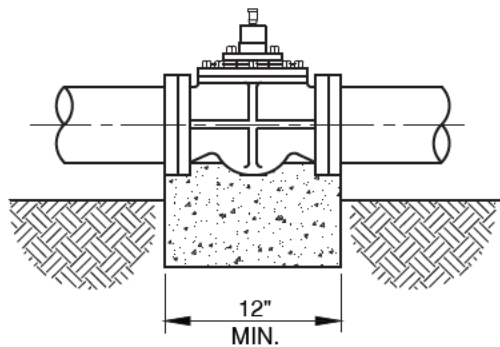
GATE VALVE - PLAN VIEW



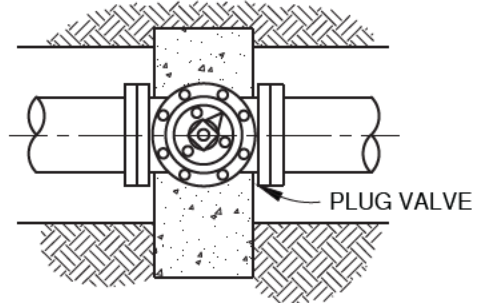
BUTTERFLY VALVE - ELEVATION



BUTTERFLY VALVE - PLAN VIEW



PLUG VALVE - ELEVATION



PLUG VALVE - PLAN VIEW

NOTES :

1. ALL VALVE SUPPORTS ARE TO BE PLACED AGAINST UNDISTURBED SOIL.
2. ALL VALVES, NUTS AND BOLTS SHALL BE COATED AND COVERED WITH VISQUEEN. (5 MIL. MIN.)

<p>APPROVED:  District Engineer Date 5/16/2019 Latest Revision Date</p>	<p style="text-align: center;">  VALLEY CENTER MUNICIPAL WATER DISTRICT STANDARD DRAWING CONCRETE VALVE SUPPORTS FOR IN-LINE VALVES </p>	<p style="text-align: center;"> NOT TO SCALE DWG. NUMBER W-21 </p>
--	---	---