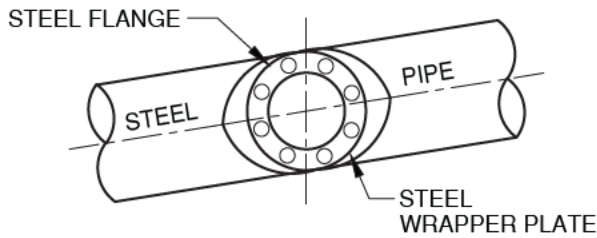
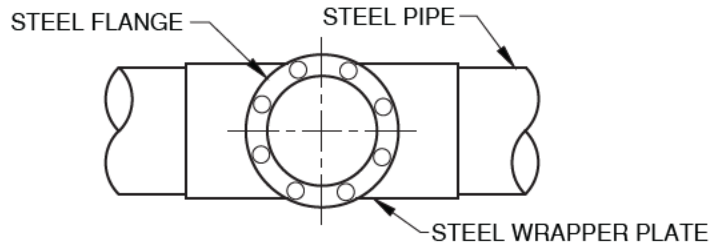


NOTE: INSTALL FLANGE WITH TOP 2 BOLT HOLES IN THE HORIZONTAL POSITION (TYPICAL). FLANGES EQUAL TO THE WORKING PRESSURE OF NEW PIPE BEING CONSTRUCTED.

DIMENSIONS OF STEEL WRAPPER PLATES PER AWWA C208, 1/4" MIN. THICKNESS.

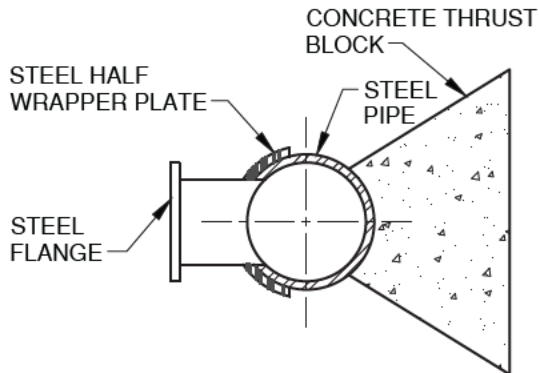


HALF WRAPPER FRONT VIEW

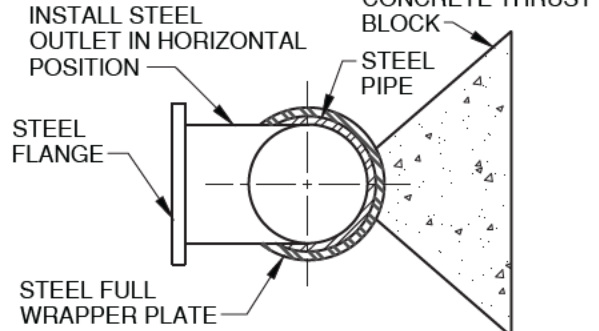


SIZE x SIZE CONNECTIONS REQUIRE A FULL WRAPPER PLATE

CONNECTION TO STEEL PIPE

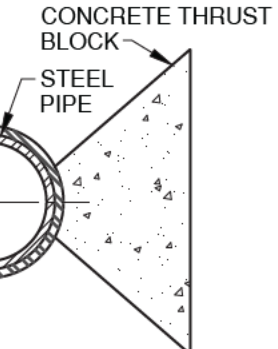


HALF WRAPPER SIDE VIEW

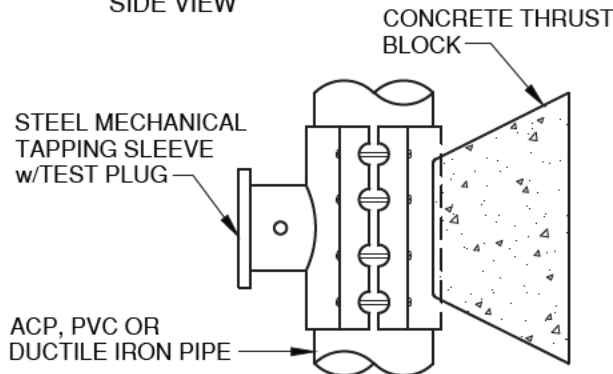


FULL WRAPPER FRONT VIEW

CONCRETE THRUST BLOCK

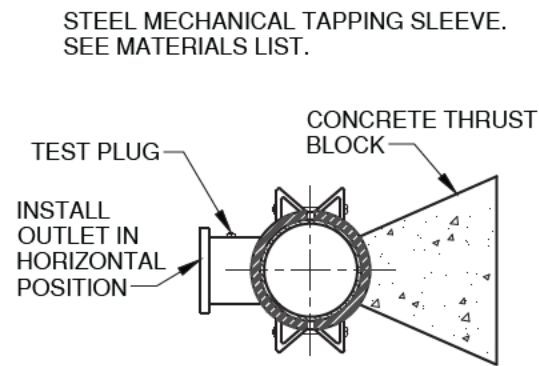


FULL WRAPPER SIDE VIEW



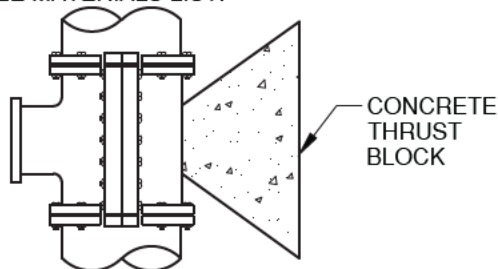
TOP VIEW

HOT TAP CONNECTION TO ACP, PVC OR D.I. PIPE

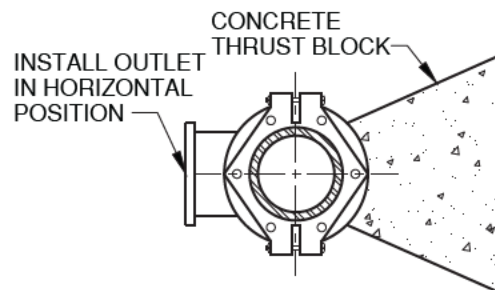


SIDE VIEW

EPOXY COATED CAST IRON MECHANICAL TAPPING SLEEVE. SEE MATERIALS LIST.



TOP VIEW



SIDE VIEW

<p>APPROVED:  District Engineer Date 5/16/2019 Latest Revision Date</p>	<p>VALLEY CENTER MUNICIPAL WATER DISTRICT STANDARD DRAWING TYPICAL CONNECTION DETAILS TO STEEL AND A.C. PIPE</p>	<p>NOT TO SCALE DWG. NUMBER W-18</p>
--	--	---