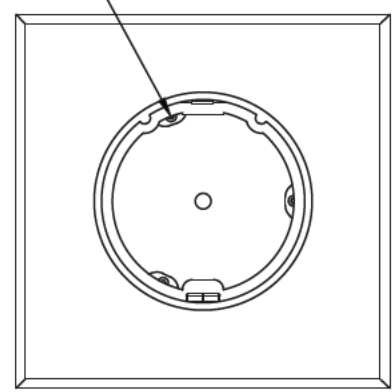
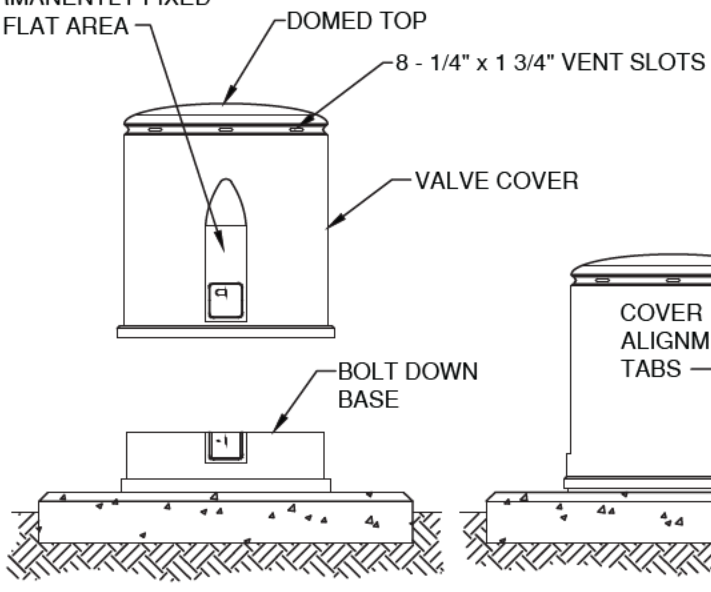


3 - 1/2" STAINLESS CONCRETE ANCHORS WITH STAINLESS FENDER WASHERS

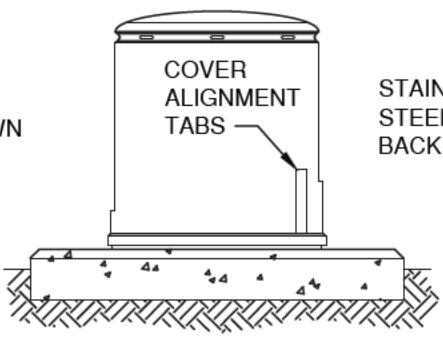


TOP VIEW

"VCMWD 760-735-4500" PERMANENTLY FIXED TO FLAT AREA



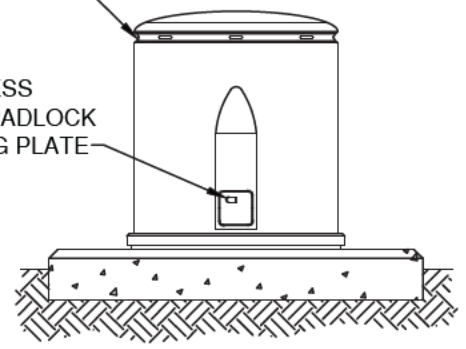
FRONT VIEW (OPENED)



SIDE VIEW

1" REFLECTOR TAPE PER COLOR CODE

STAINLESS STEEL PADLOCK BACKING PLATE



FRONT VIEW

**NOTE:**  
FOR THE LOCATION OF APPURTENANCES SEE STANDARD DRAWING NO. W-2.

**COLOR CODE:**  
BLUE - POTABLE  
PURPLE - RECYCLED  
GREEN - SEWER  
YELLOW - BLOWOFF

APPROVED:	
<i>Wally</i>	3/2/2020
District Engineer	Date
3/2/2020	
Latest Revision Date	

VALLEY CENTER MUNICIPAL WATER DISTRICT  
STANDARD DRAWING

**ABOVE GROUND ENCLOSURE**

NOT TO SCALE
DWG. NUMBER
<b>W-16</b>