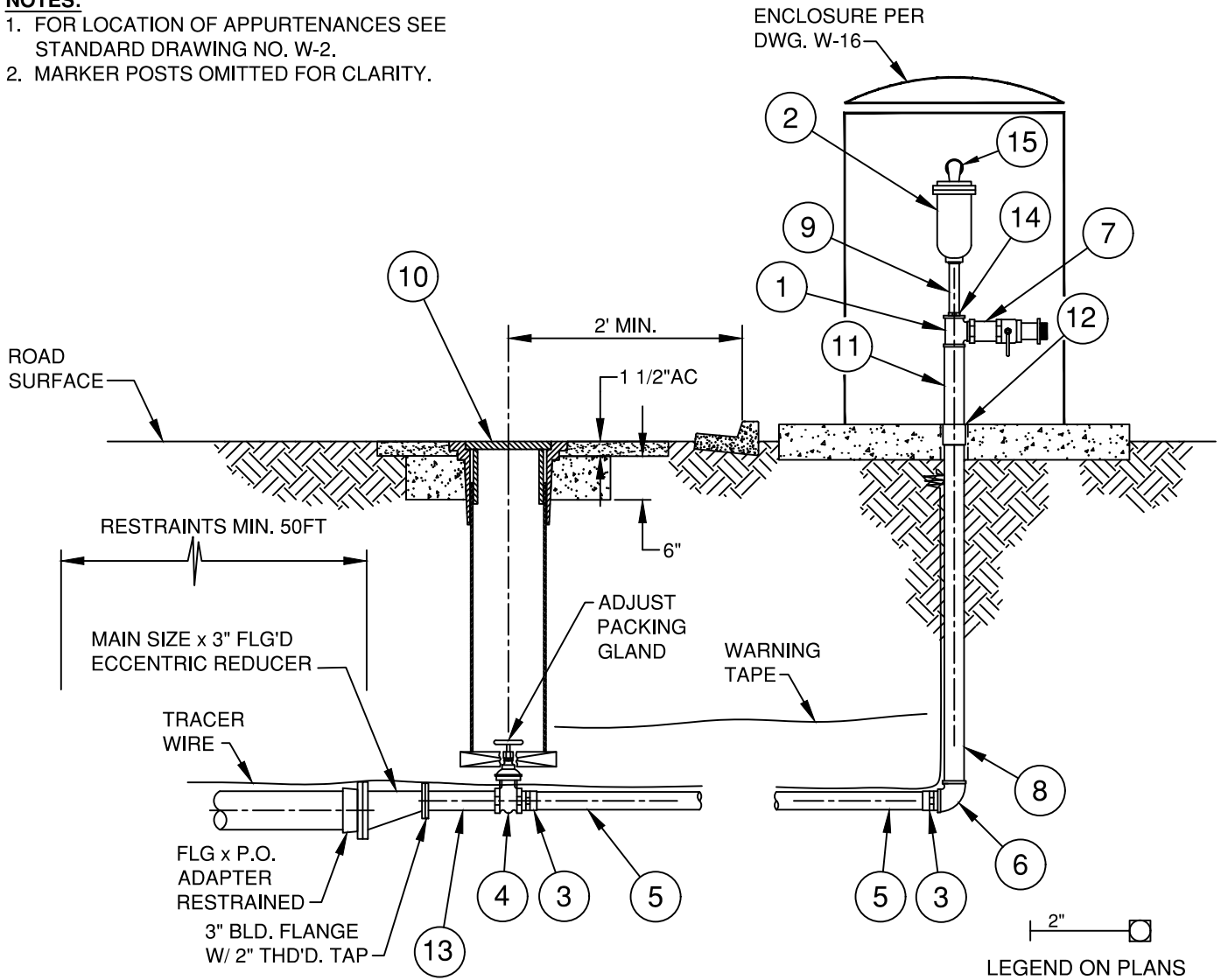



NOTES:

1. FOR LOCATION OF APPURTENANCES SEE STANDARD DRAWING NO. W-2.
2. MARKER POSTS OMITTED FOR CLARITY.



NO.	DESCRIPTION	NO.	DESCRIPTION
1	2" RED BRASS THREADED TEE	9	1" RED BRASS NIPPLE x 2" LONG
2	1" AIR VACUUM RELEASE VALVE	10	VALVE WELL FRAME, ASSEMBLY, AND COVER PER W-25
3	COPPER SWEAT ADAPTOR x M.I.P. THREAD	11	2" x 12" RED BRASS NIPPLE
4	BRONZE GATE VALVE W/ BRONZE HANDWHEEL, F.I.P. x F.I.P. THREAD	12	BRASS COUPLING, EMBEDDED FLUSH W/PAD
5	COPPER TUBING x REQUIRED LENGTH	13	2" x 12" RED BRASS NIPPLE
6	90° BRONZE F.I.P. x F.I.P.	14	2" x 1" BRASS BUSHING
7	2" M.I.P. x F.I.P. BALL VALVE W/ 2.5" FIRE HOSE ADAPTER	15	1" BRASS STREET ELL, 1" x 3" BRASS NIPPLE, 1" BRASS 90 W/ SS BUG SCREEN FACING DOWNWARD
8	RED BRASS PIPE x REQUIRED LENGTH		

APPROVED:

 District Engineer Date
 1/24/22
 Latest Revision Date

VALLEY CENTER MUNICIPAL WATER DISTRICT
 STANDARD DRAWING
**END OF LINE 1" AIR VACUUM
 & 2" BLOW OFF COMBINATION**

NOT TO SCALE
 DWG. NUMBER
W-10