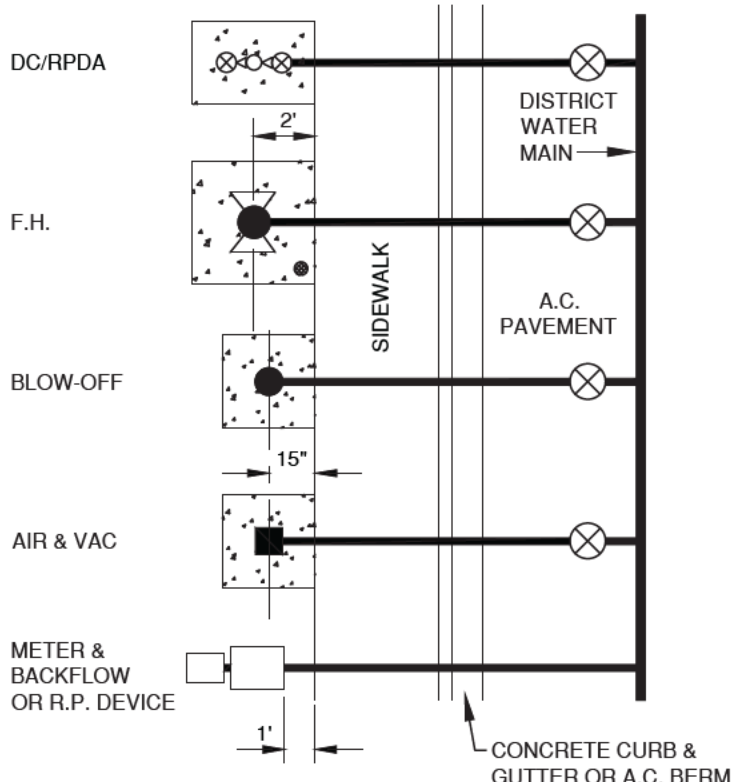
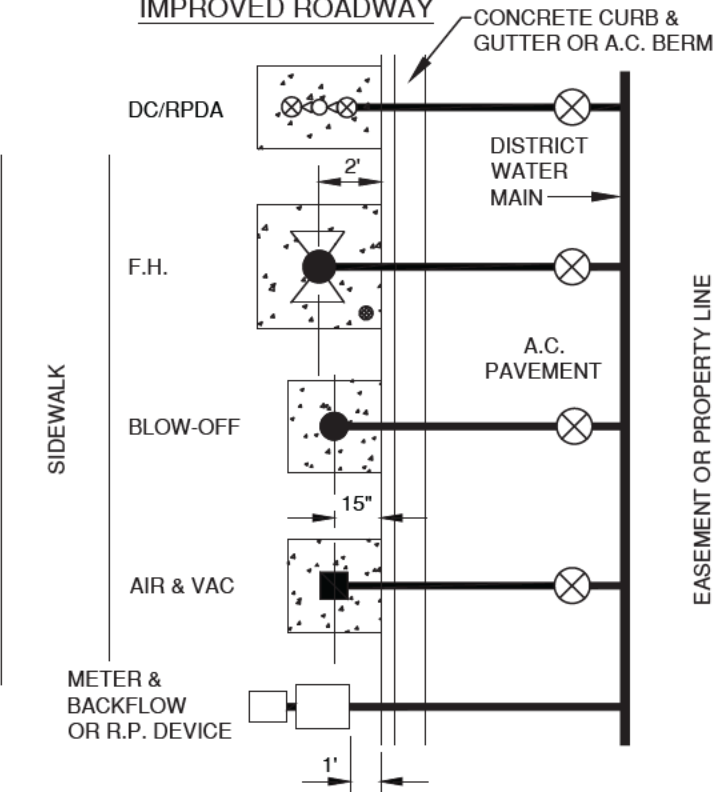


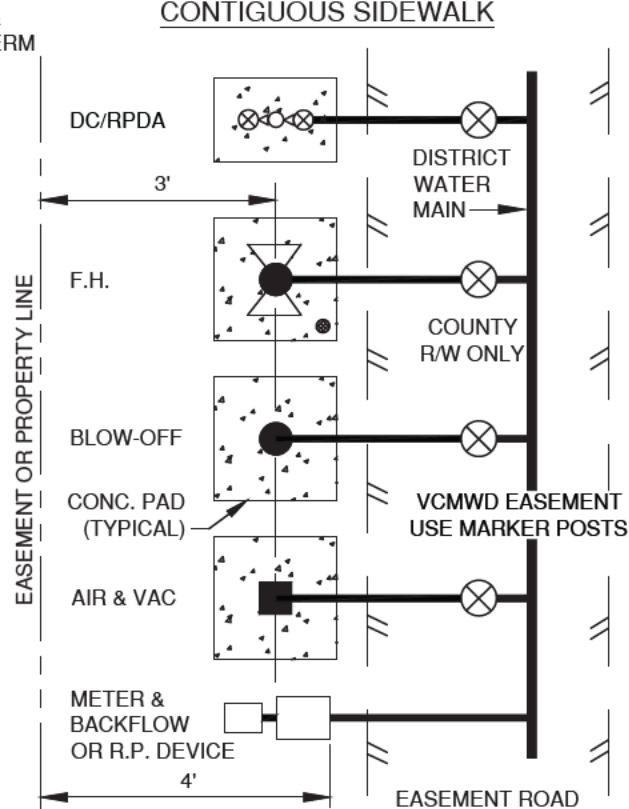
**TYPE "A" INSTALLATION
IMPROVED ROADWAY**



**TYPE "B" INSTALLATION
CONTIGUOUS SIDEWALK**



**TYPE "C" INSTALLATION
NON-CONTIGUOUS SIDEWALK**



**TYPE "D" INSTALLATION
UNIMPROVED AREA**

NOTE:
FIELD CONDITIONS MAY REQUIRE
ADJUSTMENT IN APPURTENANCE
LOCATIONS (SUBJECT TO
VCMWD APPROVAL)

APPROVED:

Walter A. Hill 3/2/2020

District Engineer

Date

3/2/2020

Latest Revision Date



VALLEY CENTER MUNICIPAL WATER DISTRICT
STANDARD DRAWING

**TYPICAL INSTALLATION FOR
WATER MAIN APPURTENANCES**

NOT TO SCALE

DWG. NUMBER

W-2