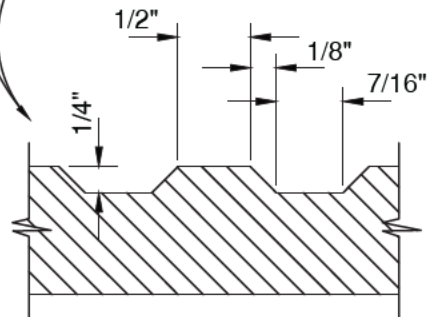
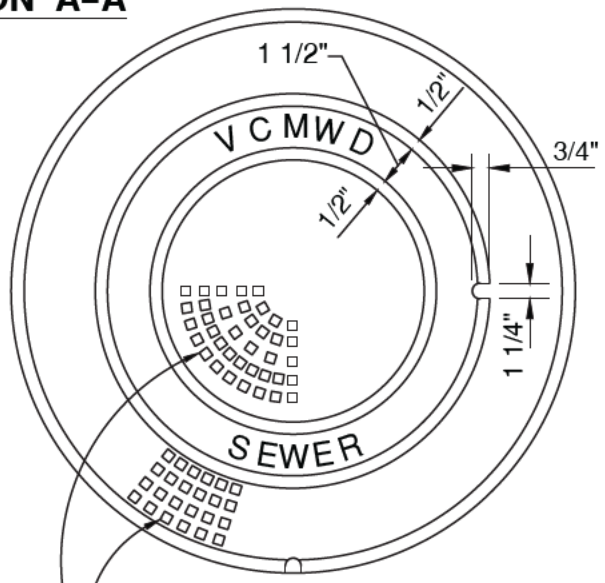


FRAME

SECTION A-A



COVER

NOTE:

1. LOCKING FRAMES AND COVERS ARE REQUIRED IN REMOTE AREAS OR AS DETERMINED BY THE DISTRICT ENGINEER.

APPROVED:	
<i>Wally P. [Signature]</i>	5/16/19
District Engineer	Date
5/16/2019	
Latest Revision Date	


VALLEY CENTER MUNICIPAL WATER DISTRICT
 STANDARD DRAWING
36" MANHOLE FRAME AND
TWO CONCENTRIC COVERS

NOT TO SCALE
DWG. NUMBER
S-9