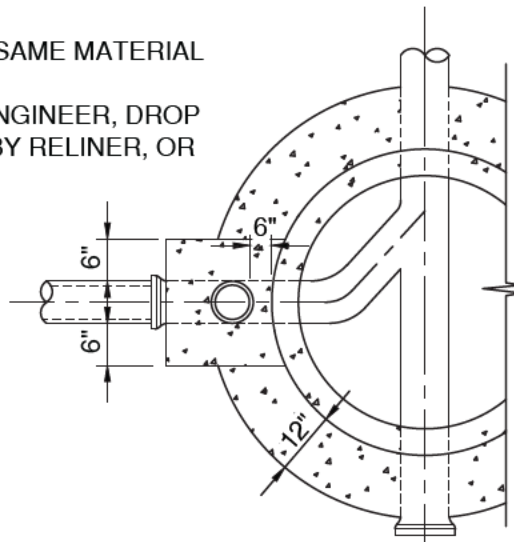


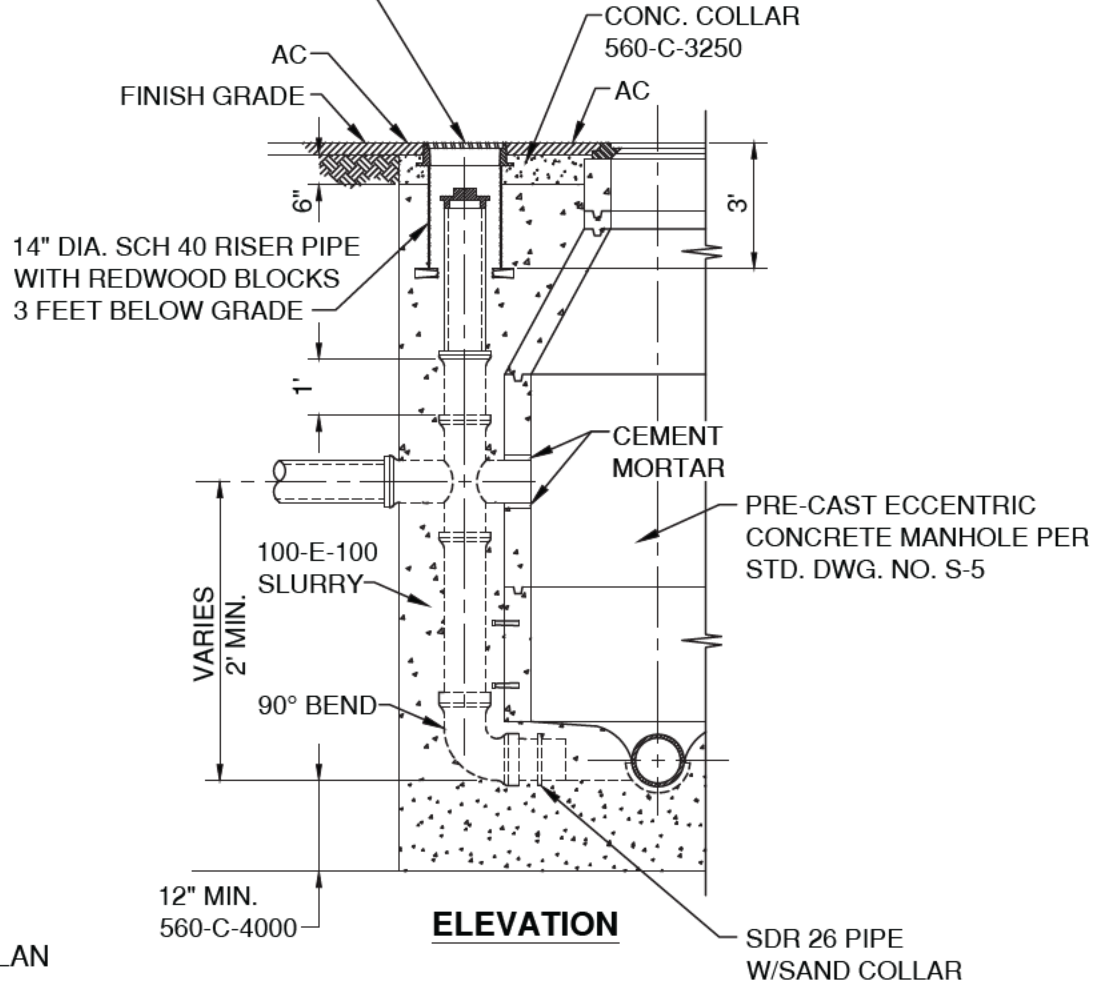
**NOTES:**

1. ALL PIPES AND FITTINGS SHALL BE SAME MATERIAL AS MAIN LINE.
2. UPON APPROVAL FROM DISTRICT ENGINEER, DROP MANHOLE MAY BE INTERNAL TYPE BY RELINER, OR EQUAL.



FRAME AND COVER SOUTH  
BAY FOUNDRY NO. 1257  
MARKED "VCMWD SEWER"

**PLAN VIEW**



APPROVED:

*Walter A. Hill* 3/2/2020

District Engineer Date

3/2/2020

Latest Revision Date



VALLEY CENTER MUNICIPAL WATER DISTRICT  
STANDARD DRAWING

**STANDARD PRECAST CONCRETE  
DROP MANHOLE**

NOT TO SCALE

DWG. NUMBER

**S-7**