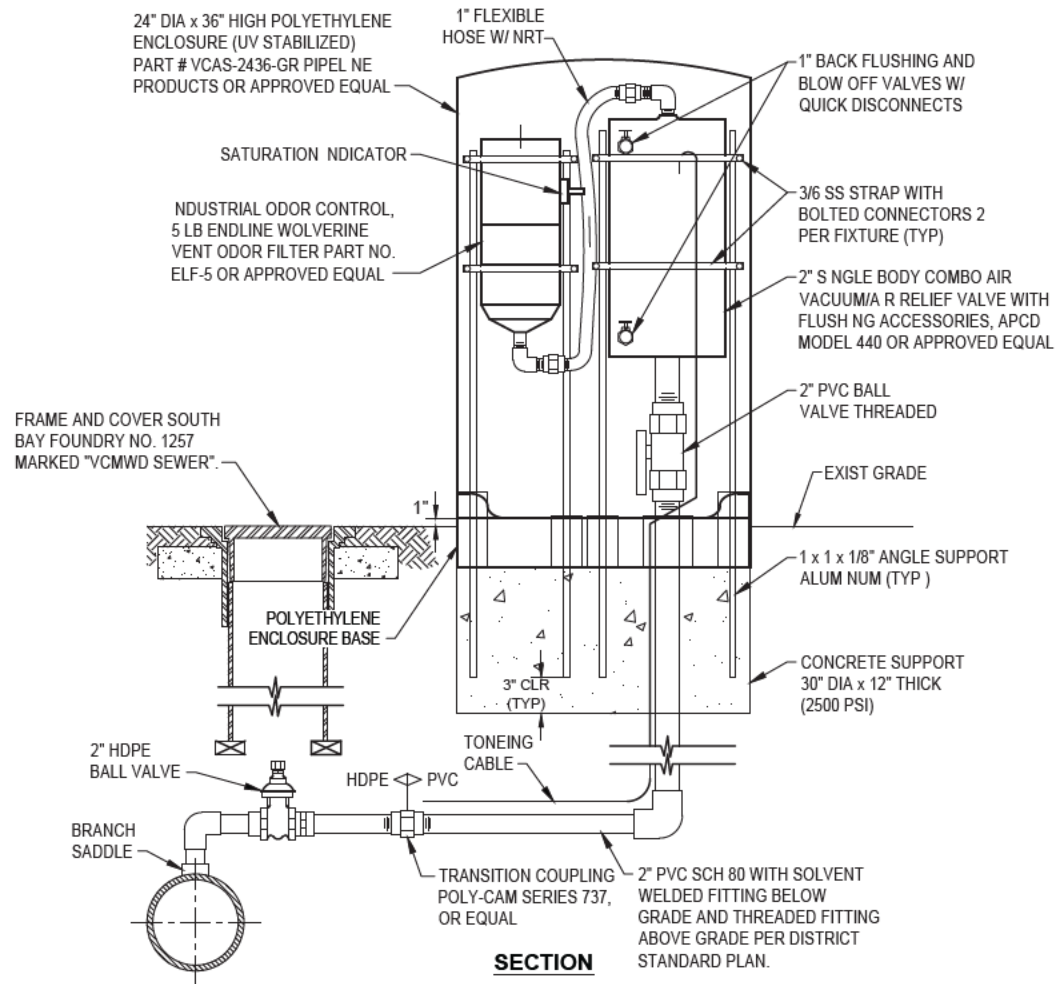


**PLAN**



**SECTION**

APPROVED:  
*Walter A. Hill* 3/2/2020  
 District Engineer Date  
 3/2/2020  
 Latest Revision Date

VALLEY CENTER MUNICIPAL WATER DISTRICT  
 STANDARD DRAWING  
**LOW PRESSURE  
 COMBINATION AIR VALVE**

NOT TO SCALE  
 DWG. NUMBER  
**LPS-6**