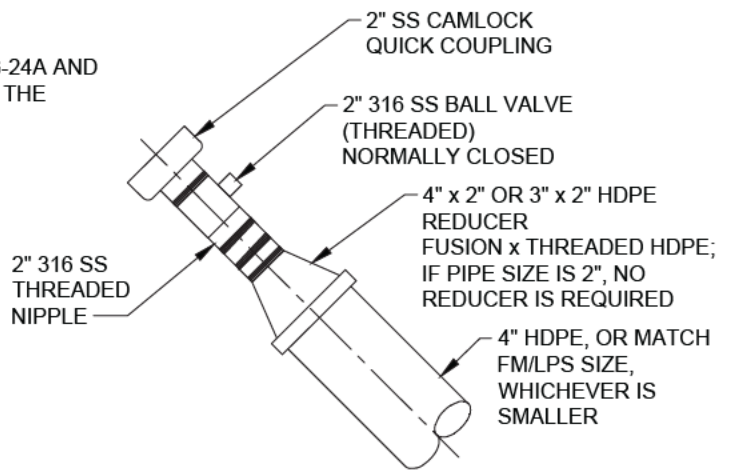


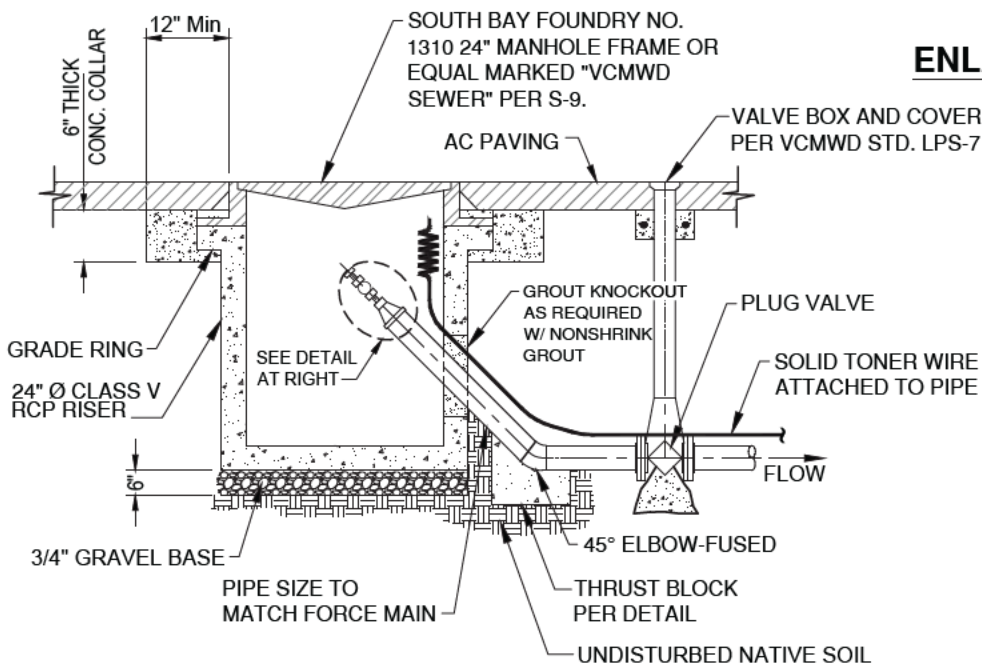
PLAN

NOTE:

1. TRENCH RESURFACING SHALL CONFORM TO SDRSD G-24A AND G24B. THE FINAL SURFACE TREATMENT SHALL MATCH THE EXISTING SURFACE TYPE.



ENLARGEMENT DETAIL



SECTION

APPROVED:	
<i>Walter A. Hill</i>	3/2/2020
District Engineer	Date
3/2/2020	
Latest Revision Date	



VALLEY CENTER MUNICIPAL WATER DISTRICT
STANDARD DRAWING

**LOW PRESSURE
TERMINUS CLEANOUT**

NOT TO SCALE

DWG. NUMBER

LPS-5