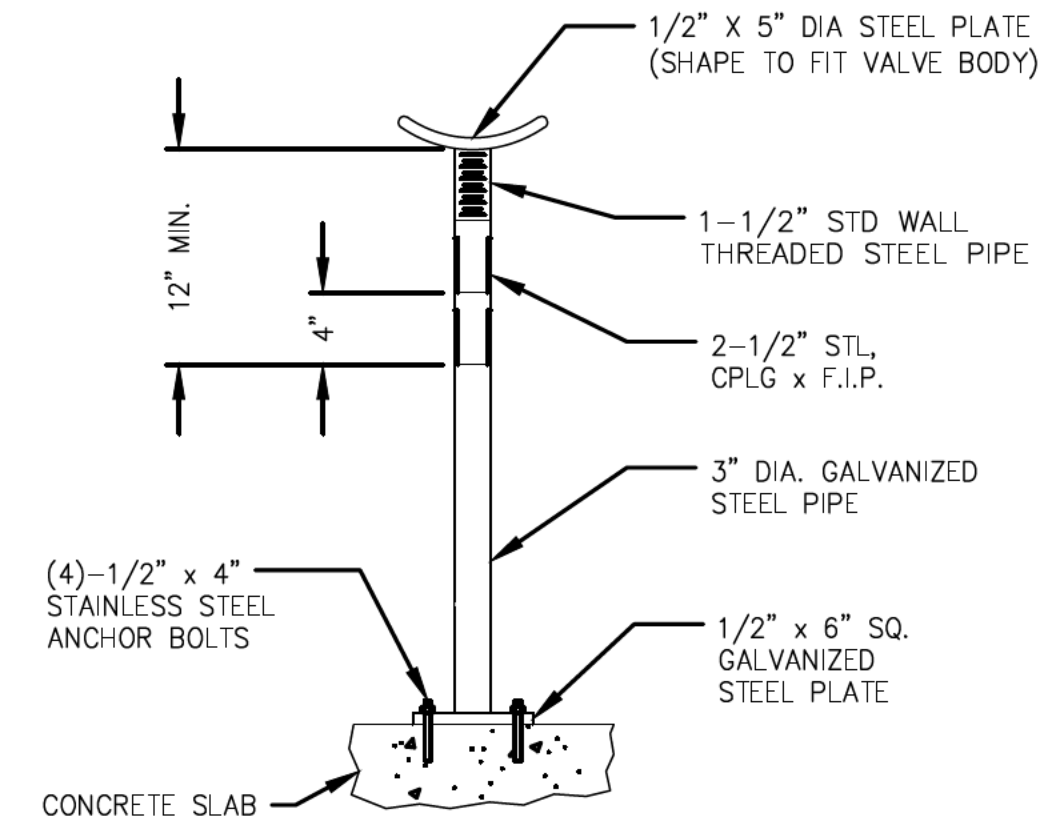
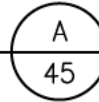


WALL PENETRATION DETAIL

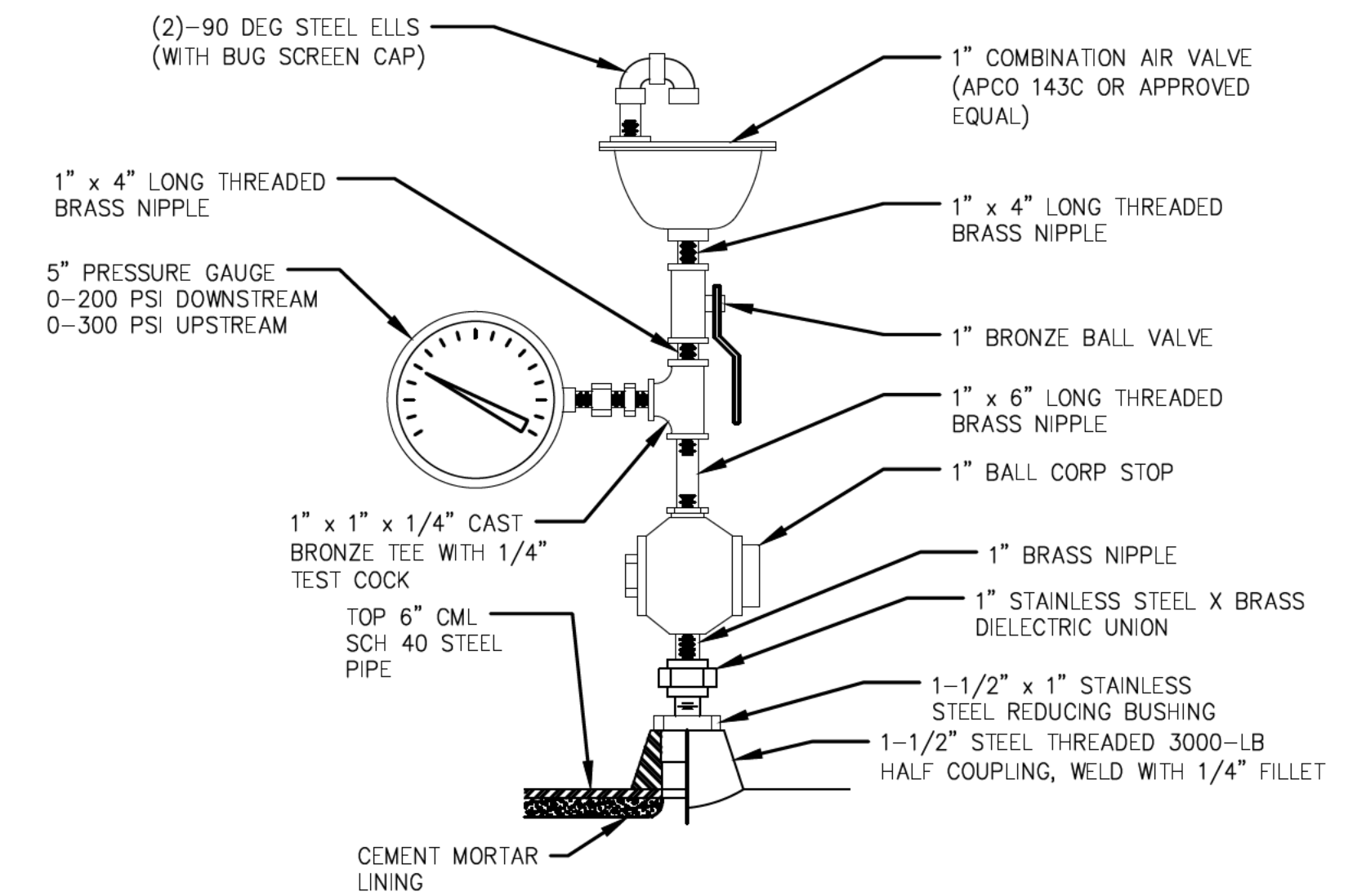
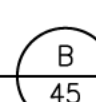
N.T.S.



NOTE:
HOT DIP GALVANIZED AFTER FABRICATION

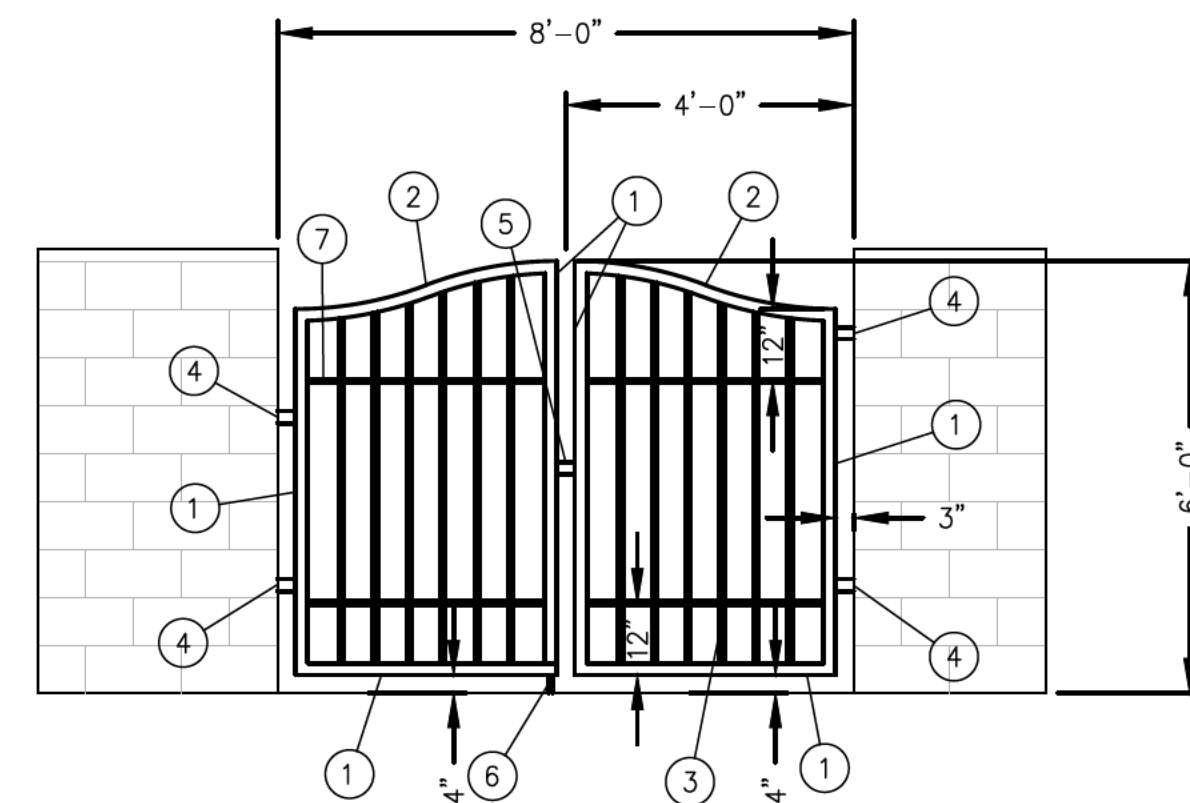
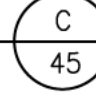
PIPE/VALVE SUPPORT DETAIL

N.T.S.



PRESSURE GAUGE DETAIL

N.T.S.



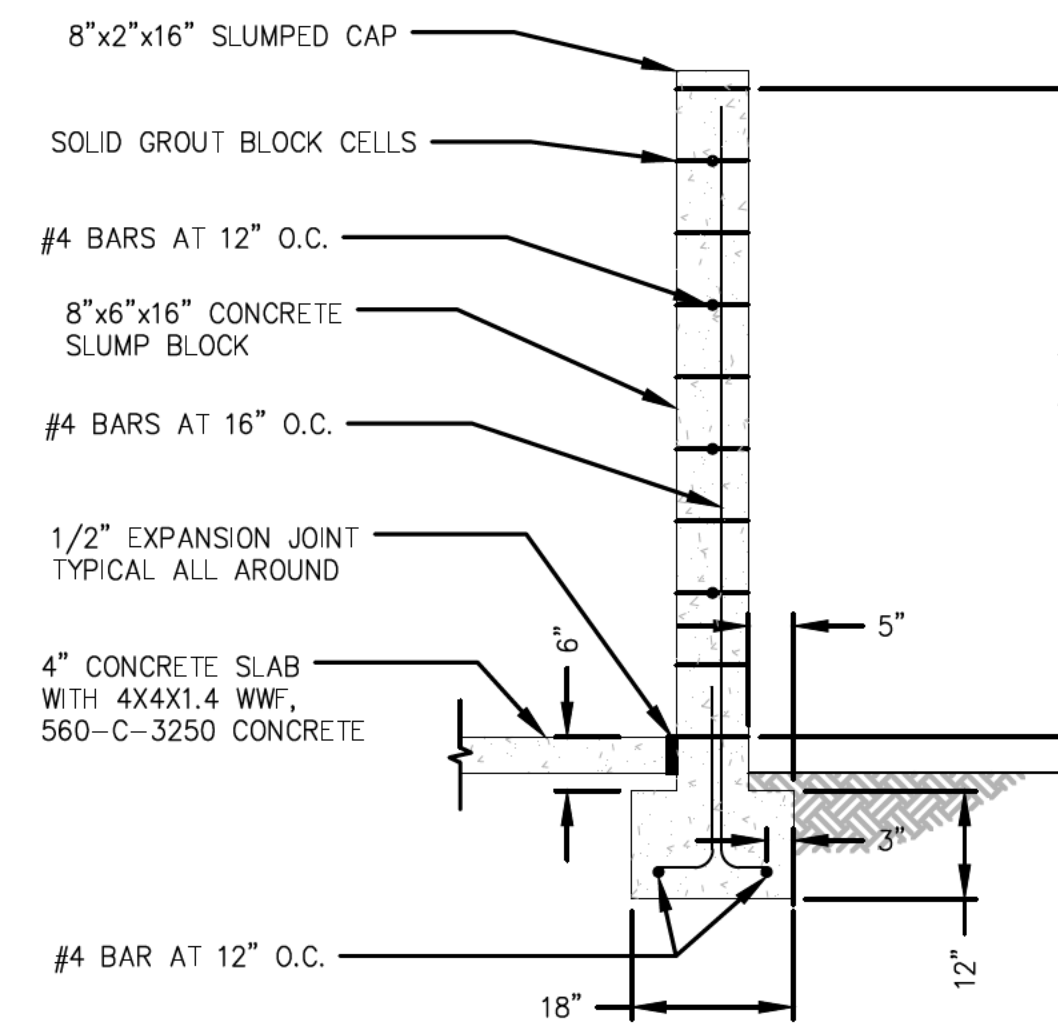
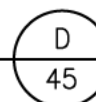
MATERIALS LIST

ITEM	DESCRIPTION
①	GATE FRAME 1 1/2" X 1 1/2" TUBING (0.083 WALL MIN.)
②	GATE FRAME 2" X 1" TUBING (0.083 WALL MIN.)
③	GATE PICKETS 3/4" X 3/4" TUBING (0.083 WALL MIN.) AT 6" O.C.
④	2 - 3/4" L-BOLT HINGES EACH GATE
⑤	1 - 2" X 1" X 3/16" ANGLE EACH GATE WITH 1/2" Ø HOLE FOR PADDOCK
⑥	3/4" CANE BOLT
⑦	HORIZONTAL BRACES 1/2" X 1" TUBING (0.083 WALL MIN.)

NOTE:
CONTRACTOR SHALL SUBMIT GATE DESIGN TO THE DISTRICT FOR APPROVAL PRIOR TO CONSTRUCTION OF THE GATE. ALL GATE MATERIALS TO BE ELECTROSTATIC POWDER COATED "PADRE BROWN" OR OTHER COLOR APPROVED BY THE DISTRICT.

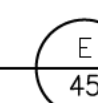
WROUGHT IRON GATE DETAIL

N.T.S.



MASONRY WALL DETAIL

N.T.S.



NOTE:
CONCRETE SLUMP BLOCK
AND MORTAR TO BE ADOBE
COLOR.

F:\Engineering\Civil\2018\Design_Guidelines\Design_Guide_Exhibit.dwg Mar 10, 2020 - 8:44am

ENGINEER OF WORK
COMPANY LOGO



REFERENCE DRAWINGS	NO.	APPROVED CHANGES	APPROVED BY	DATE

VALLEY CENTER MUNICIPAL WATER DISTRICT
 29300 VALLEY CENTER ROAD P. O. BOX 67
 VALLEY CENTER, CALIFORNIA 92082
 (760) 735-4500

VCMWD JOB #	
DATE:	
DRAWN BY:	
CHECKED BY:	

DESIGN GUIDE EXHIBIT 'F'
 STANDARD DETAILS FOR
 CONSTRUCTION DRAWINGS

X
 X of X

XX% DESIGN