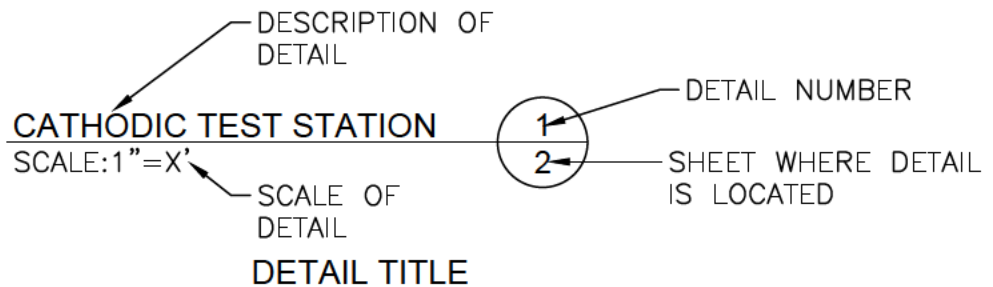
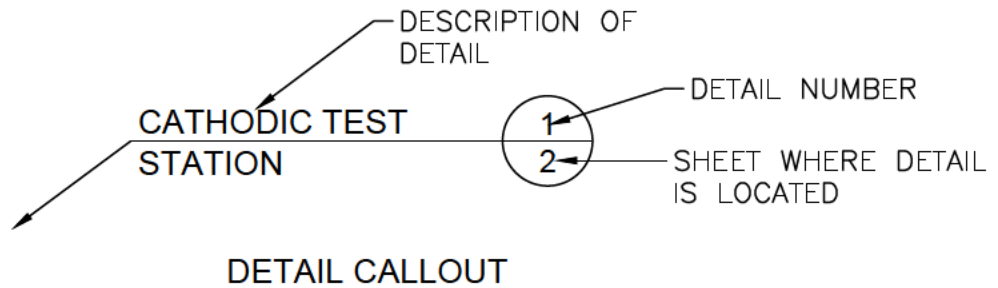
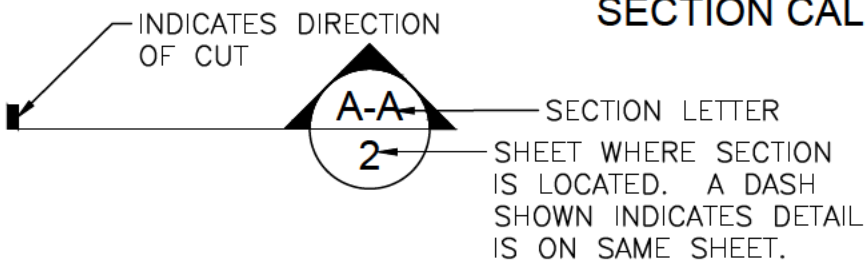


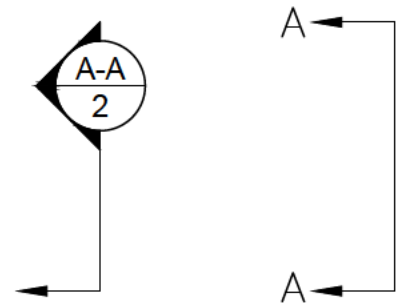
STANDARD DETAIL CALLOUTS



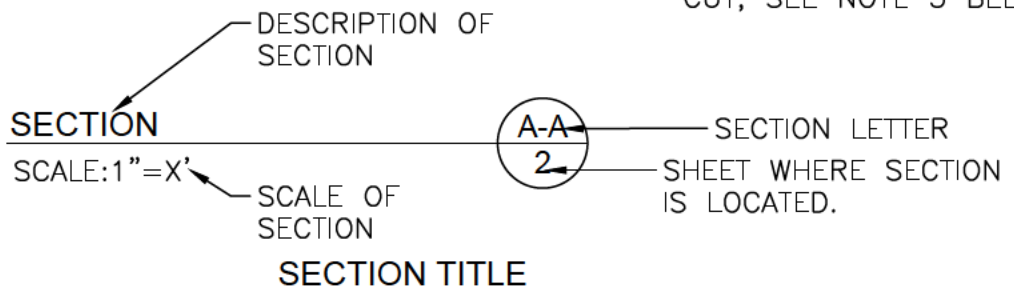
SECTION CALLOUT



SECTION CALLOUT



OTHER ACCEPTABLE WAYS TO INDICATE A SECTION CUT, SEE NOTE 3 BELOW



- NOTES:
1. REFER TO SECTION 1.1 OF THE DESIGN GUIDE
 2. REFER TO SECTION 1.1, EXHIBIT C FOR STANDARD LEADER LINES
 3. SECTION CUTS SHALL BE SHOWN CONSISTENTLY THROUGHOUT THE PLAN SET
 4. A DASH SHOWN ON THE AREA REPRESENTING THE SHEET NUMBER INDICATES THE DETAIL AS BEING SHOWN ON THE SAME SHEET

APPROVED:

DISTRICT ENGINEER _____ DATE _____

LATEST REVISION _____ DATE _____

DESIGN GUIDE EXHIBIT 'C'

STANDARD DETAIL & SECTION CALLOUTS FOR CONSTRUCTION DRAWINGS

VALLEY CENTER MUNICIPAL WATER DISTRICT
29300 VALLEY CENTER ROAD
VALLEY CENTER, CA 92082

